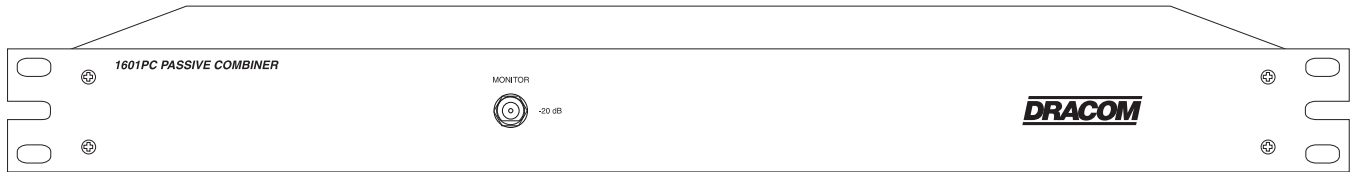
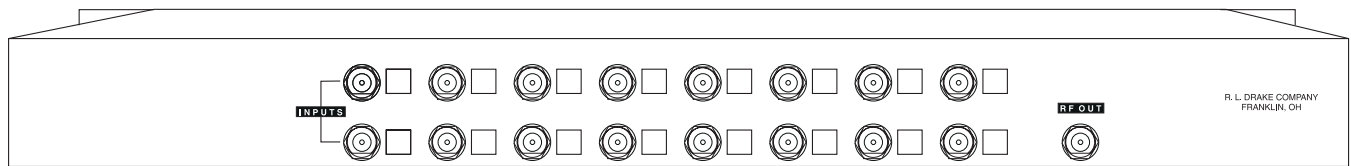


The 1601PC Passive Combiner permits combining the outputs of up to 16 Audio/Video Modulators, Channel Processors, etc. onto a single coax. Additional 1601PC's may be used, with their outputs combined, to increase capacity as required.

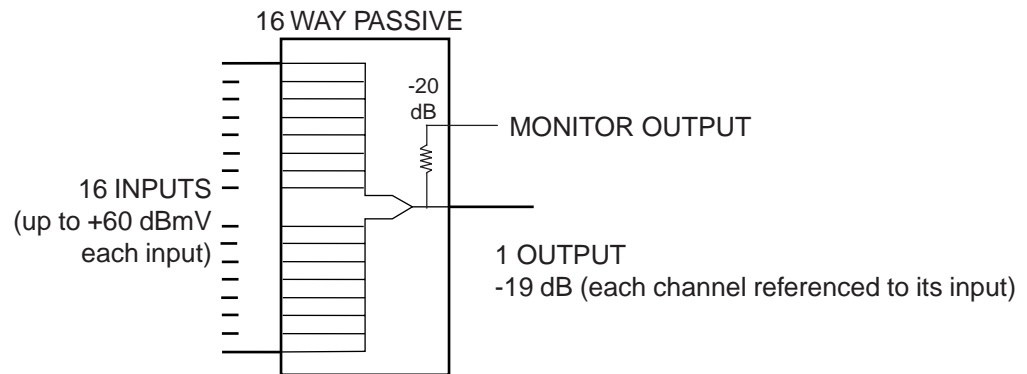
The unit mounts in a standard 1-3/4" H x 19" W rack space. A Monitor output is provided at the front panel of the combiner.



FRONT PANEL



REAR PANEL



BLOCK DIAGRAM

SPECIFICATIONS

Frequency Range:	5-600 MHz.
Insertion Loss:	19 dB nominal.
Port-port Isolation:	30 dB.
Maximum Input:	+60 dBmV, each input.
Impedance:	75 OHMS.
Return Loss (all ports):	16 dB from 54 to 550 MHz, 12 dB minimum from 550 to 600 MHz.
Monitor Test Point:	-20 dB (referenced to output).
Shielding:	Meets FCC Part 76 requirements when operated at rated input levels.
Operating Temperature:	-20° C to +50° C.

One Year Limited Warranty

R. L. DRAKE COMPANY warrants to the original purchaser this product shall be free from defects in material or workmanship for one (1) year from the date of original purchase.

During the warranty period the R. L. DRAKE COMPANY or an authorized Drake service facility will provide, free of charge, both parts and labor necessary to correct defects in material and workmanship. At its option, R. L. DRAKE Company may replace a defective unit.

To obtain such a warranty service, the original purchaser must:

- (1)** Retain invoice or original proof of purchase to establish the start of the warranty period.
- (2)** Notify the R. L. DRAKE COMPANY or the nearest authorized service facility, as soon as possible after discovery of a possible defect, of:
 - (a) the model and serial number,
 - (b) the identity of the seller and the approximate date of purchase; and
 - (c) A detailed description of the problem, including details on the electrical connection to associated equipment and the list of such equipment.
- (3)** Deliver the product to the R. L. DRAKE COMPANY or the nearest authorized service facility, or ship the same in its original container or equivalent, fully insured and shipping charges prepaid.

Correct maintenance, repair, and use are important to obtain proper performance from this product. Therefore carefully read the Instruction Manual. This warranty does not apply to any defect that R. L. DRAKE COMPANY determines is due to:

- (1)** Improper maintenance or repair, including the installation of parts or accessories that do not conform to the quality and specifications of the original parts.
- (2)** Misuse, abuse, neglect or improper installation.
- (3)** Accidental or intentional damage.

All implied warranties, if any, including warranties of merchantability and fitness for a particular purpose, terminate one (1) year from the date of the original purchase.

The foregoing constitutes R. L. DRAKE COMPANY'S entire obligation with respect to this product, and the original purchaser shall have no other remedy and no claim for incidental or consequential damages, losses or expenses. Some states do not allow limitations on how long an implied warranty lasts or do not allow the exclusions or limitation of incidental or consequential damages, so the above limitation and exclusion may not apply to you.

This warranty gives you specific legal rights and you may also have other rights which vary from state to state. This warranty shall be construed under the laws of Ohio.

For Service, contact:

R.L. DRAKE COMPANY
230 Industrial Drive
Franklin, Ohio 45005 U.S.A.
Customer Service and Parts Telephone: +1 (937) 746-6990
Telefax: +1 (937) 743-4576
World Wide Web Site: <http://www.rldrake.com>